



GENUINE PARTS

INSTALLATION INSTRUCTIONS

DESCRIPTION:	Rear Bumper Protector Kit
APPLICATION:	Quest
PART NUMBER:	999T6 NX000

KIT CONTENTS:

Item	Qty.	Part Description	Service Part Number
A	1	Rear Bumper Protector	---

- TOOLS REQUIRED:**
- Clean, Lint-Free Wiping Cloth
 - 90%+ Isopropyl Alcohol
 - Scale
 - Masking Tape

PRE-INSTALLATION WARNINGS, CAUTIONS, CRITICAL STEPS, and NOTES:

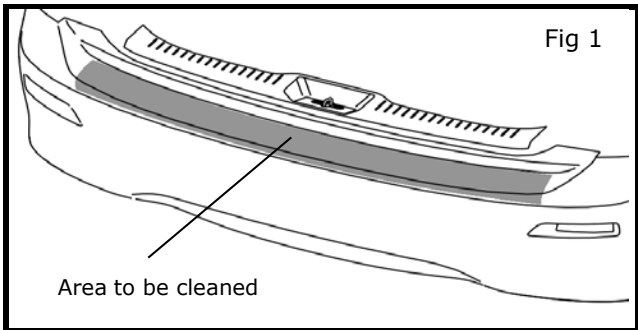
- Dealer Installation Recommended. Instructions may refer to Service Manual.

 **CAUTION**

- Install the rear bumper protector when the ambient temperature is above 60°F (15°C).
- Do not wash or expose the vehicle to a wet environment for 24 hours after installing the rear bumper protector.

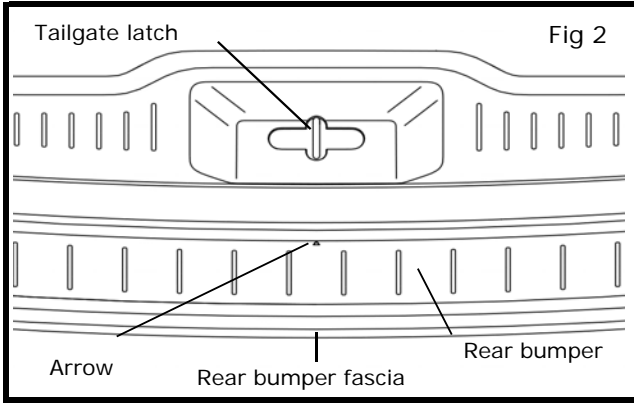
INSTALLATION PROCEDURE:

- 1) Clean upper portion of rear bumper thoroughly with soap and water to remove any dirt or debris and allow to dry.
- 2) Rear bumper protector installation prep:
 - a) Open rear hatch.
 - b) Using a clean lint-free cloth and isopropyl alcohol to clean the area of rear bumper where part will be installed.
 - c) Allow time to dry thoroughly.

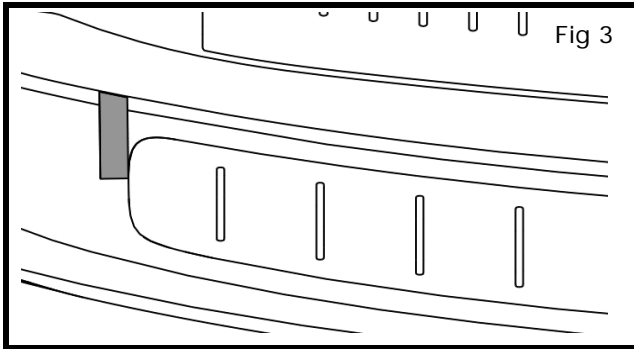


 **CAUTION**

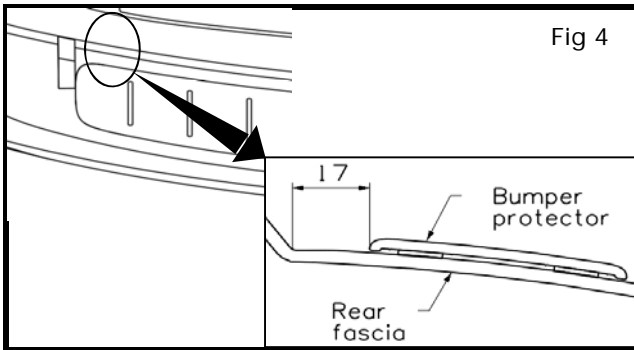
Failure to clean the mounting surface properly may cause the adhesive tape to have poor adhesion to the vehicle.



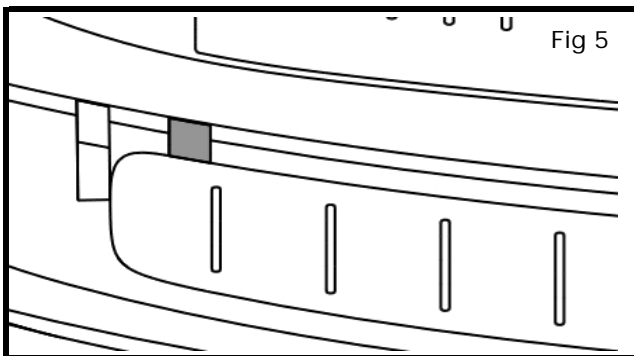
- 3) Dry fit the bumper protector on the vehicle.
 - a) Align the bumper protector centering arrow with the tailgate latch.



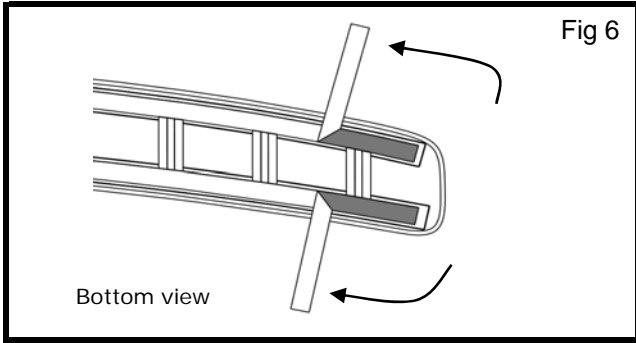
- 4) Apply tape at right and left edges of part. (Left hand side shown)



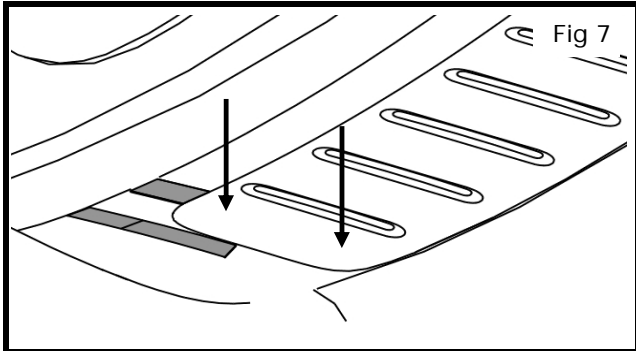
- 5) Measure the distance from the feature of the rear bumper fascia to the edge of the bumper protector as shown in the figure.



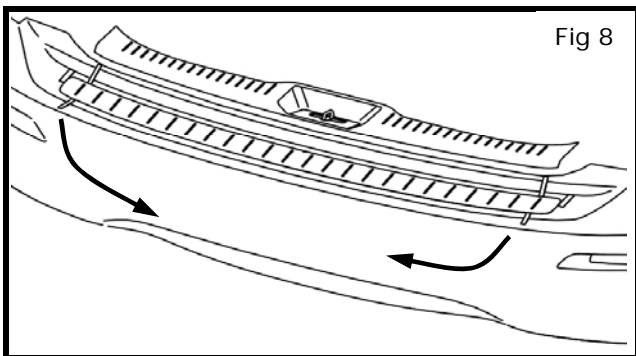
- 6) Confirm bumper protector location on vehicle mark location with pieces of tape.



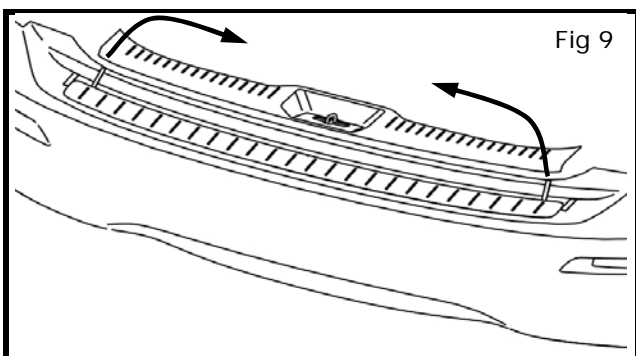
- 7) Remove part and peel back approximately 30mm of all tape liners.



- 8) Aligning part to all tape edges then lightly tack the rear bumper protector to the vehicle.
- 9) Confirm centering arrow alignment with tailgate latch and consistent fit. If necessary, un-tack rear bumper protector and repeat.



- 10) While holding part in position with one hand remove rear tape liners.
- 11) Using a clean lint-free cloth, start at the center and apply 15 lbs of pressure along the tape path.



- 11) Remove front tape liners.
- 12) Using a clean lint-free cloth, start at the center and apply 15 lbs of pressure along the tape path.
- 13) To ensure adequate attachment, re-apply 15 lbs of pressure across the entire part.
- 14) Close rear hatch.
- 15) Do not expose vehicle to moisture for 24 hours.